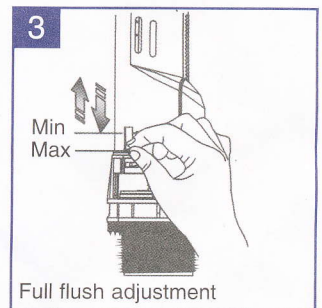
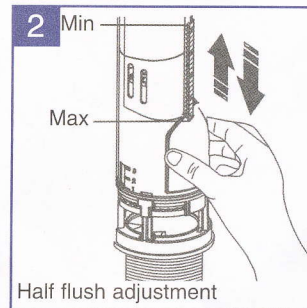
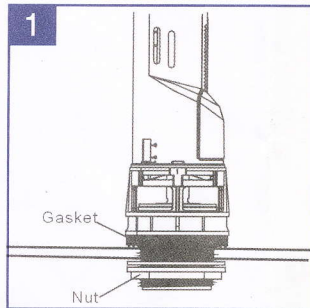


DURA - B4900 DUAL FLUSH OUTLET VALVE

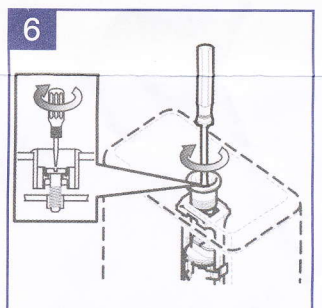
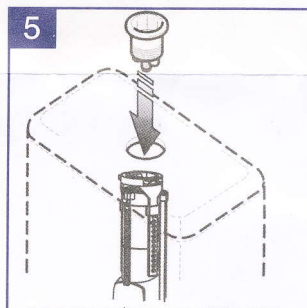
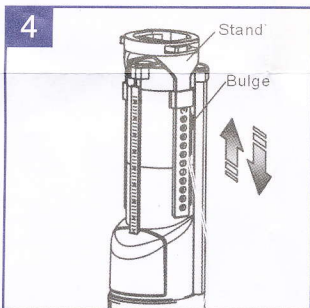
Note: If valve is supplied already fitted to cistern then all adjustments and setting have already been done. (actuating rods have already been cut to size). The only requirement will be to follow the button installation procedure.

Flush Valve Installation

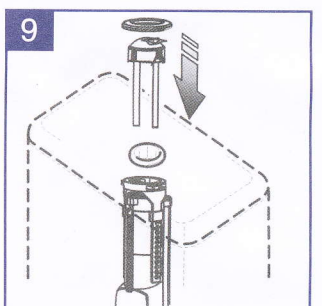
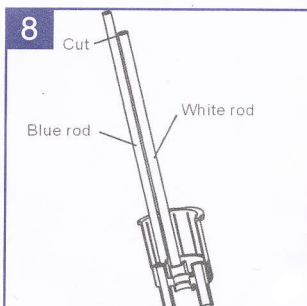
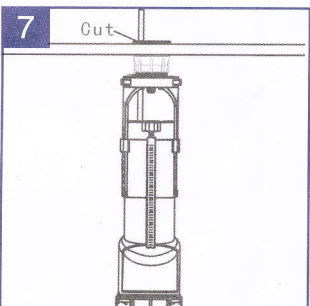


- 1 Screw down the nut, then put the flush valve into the tank.
- 2 Raise or lower the half flush float to set the correct water level. As you raise this float, the water level reduces.
- 3 Set the full flush level. When the red card is on the highest position, the full flush is at its least.

Flush Button Installation



- 4 Fix the stand to the flush valve. Adjust its height up or down by pressing the bulge.
- 5 Insert the button body through the cistern lid, ensuring it is aligned correctly.
- 6 Screw the plastic threaded bolt into the sliding block. Take care not to damage screwing slot of bolt as this is plastic and if damaged will make future servicing very difficult. Ensure that it is screwed all the way down.
- 7 Insert the white rod through the button body and cut off any excess.
- 8 Align the blue rod with the white rod and cut off at an even level so that their lengths match up.
- 9 Insert both rods into their full and half flush positions on the flush valve. Attach button body.



Dear Plumber

Could you please ensure a copy of the installation instructions is left with end user for future reference.

Disclaimer:

Products in this specification manual must by regulation be installed by licensed and registered trade people. The manufacturer/distributor reserves the right to vary specifications or delete models from their range without prior notification. Dimensions and set-outs listed are correct at time of publication however the manufacturer distributor takes no responsibility for printing errors.